

# Oxford City Planning Committee Presentation

[www.oxford.gov.uk](http://www.oxford.gov.uk)



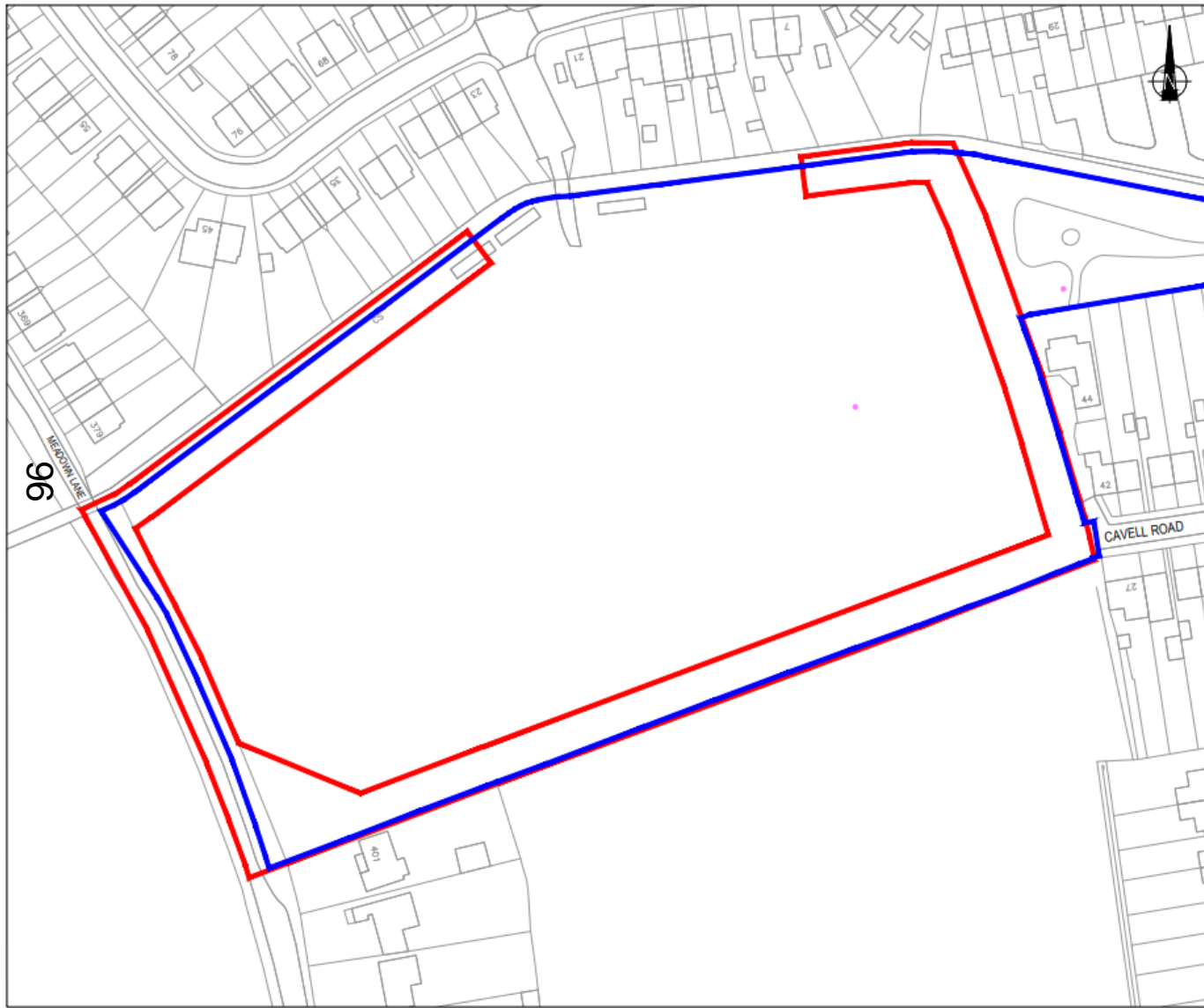
95

**Reference Number: 22/02446/CT3**

**Site Address: Donnington Recreation Ground**



# Site Location Plan



SCALE 1:1000

© Crown copyright and database rights 2019. Unauthorised reproduction infringes Crown copyright and may lead to prosecution or civil proceedings. Ordnance Survey 100019348

[www.oxford.gov.uk](http://www.oxford.gov.uk)



**OXFORD  
CITY  
COUNCIL**



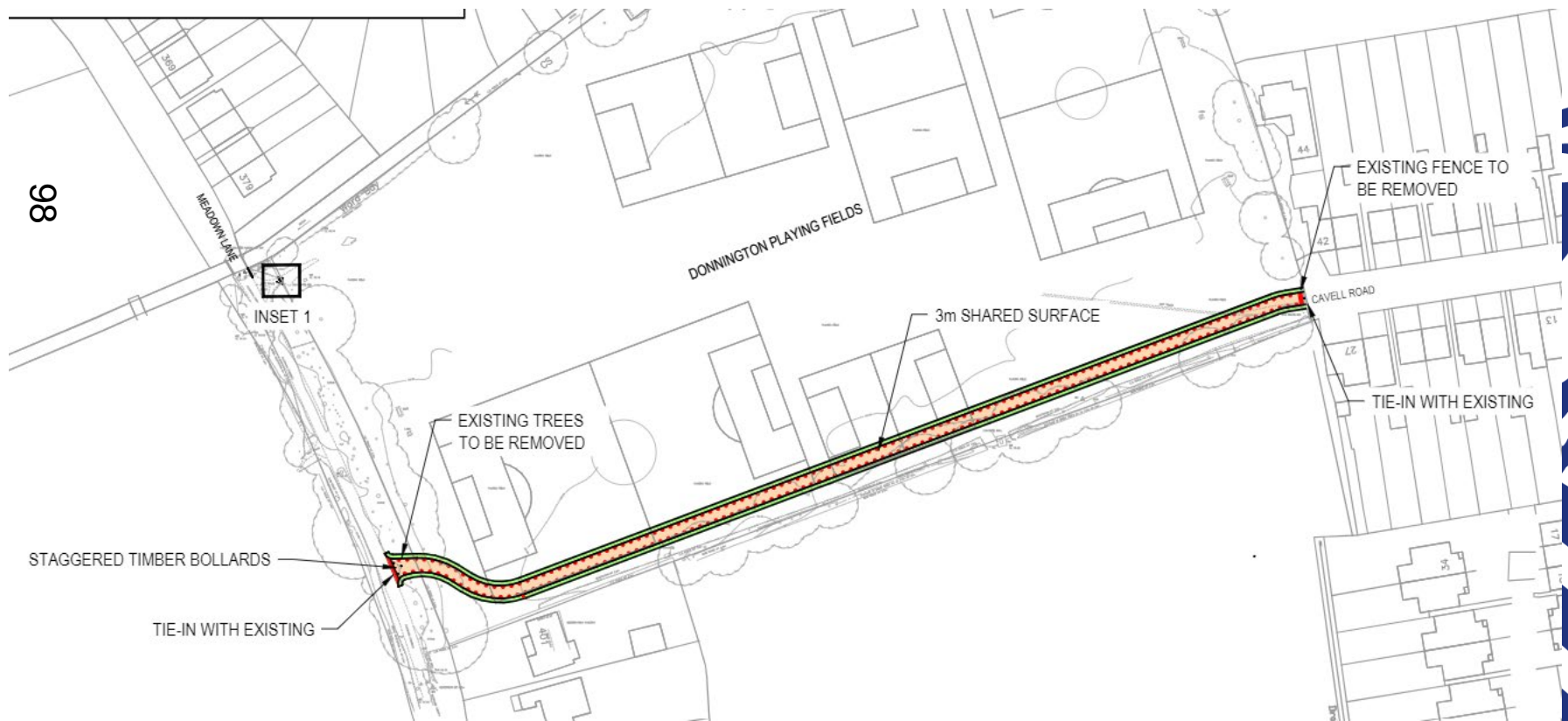
# Aerial View



[www.oxford.gov.uk](http://www.oxford.gov.uk)



# Proposed Plans



# Existing Access – Cavell Road



[www.oxford.gov.uk](http://www.oxford.gov.uk)



**OXFORD  
CITY  
COUNCIL**



# Existing Desire Line

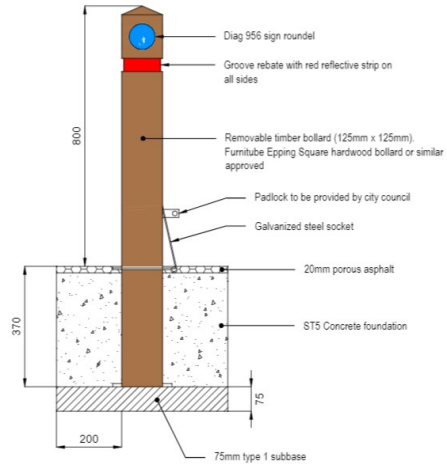
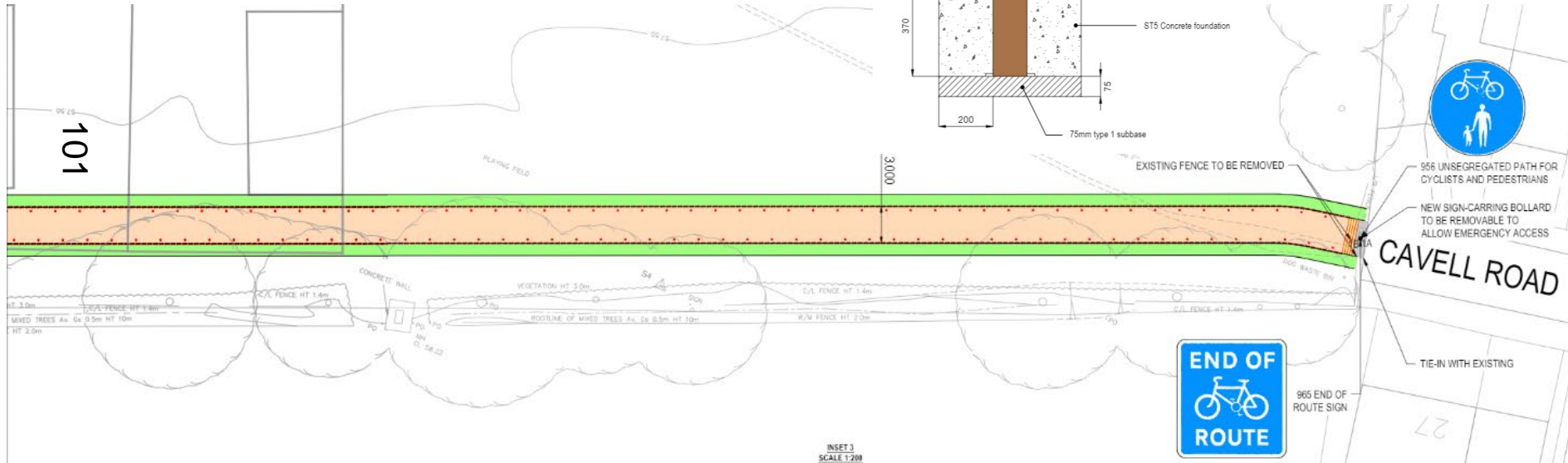


[www.oxford.gov.uk](http://www.oxford.gov.uk)



# Proposed Plans – Cavell Road

www.oxford.gov.uk



965 END OF ROUTE SIGN



# Existing Access – Meadow Lane

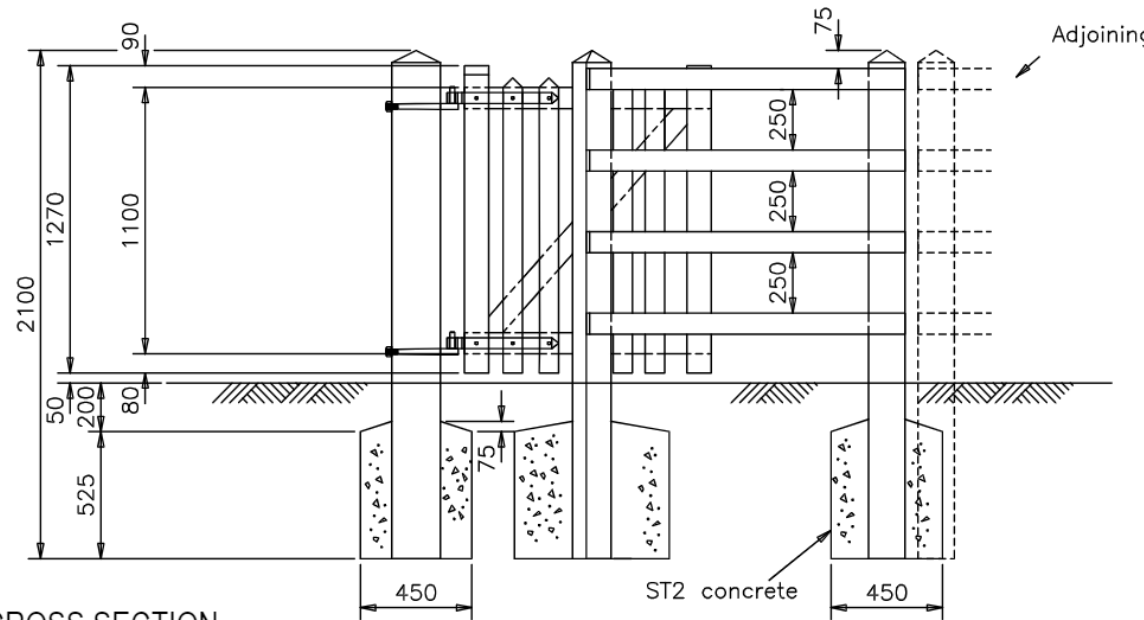
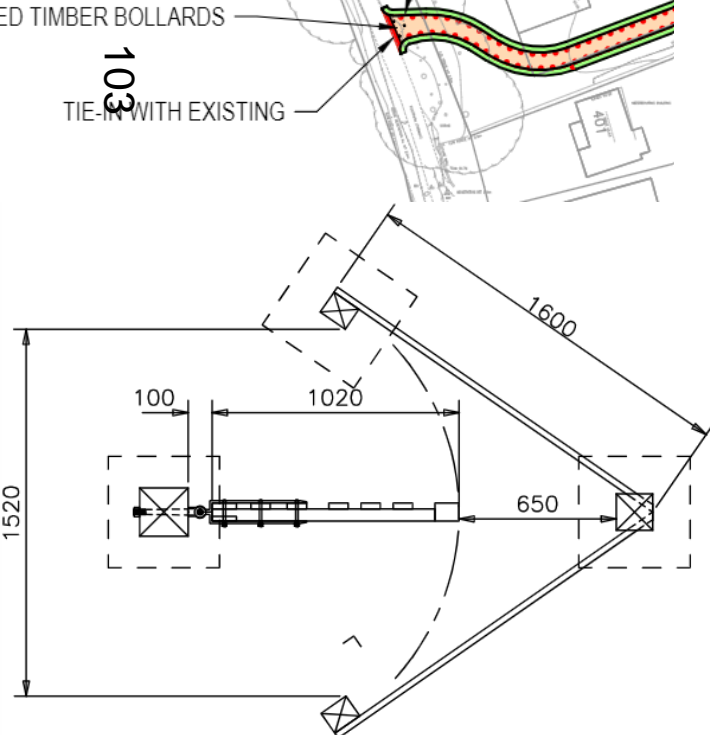
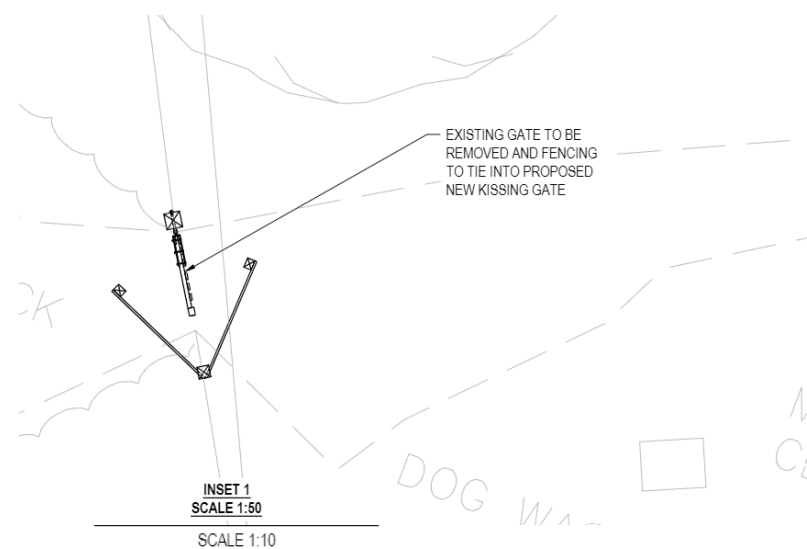
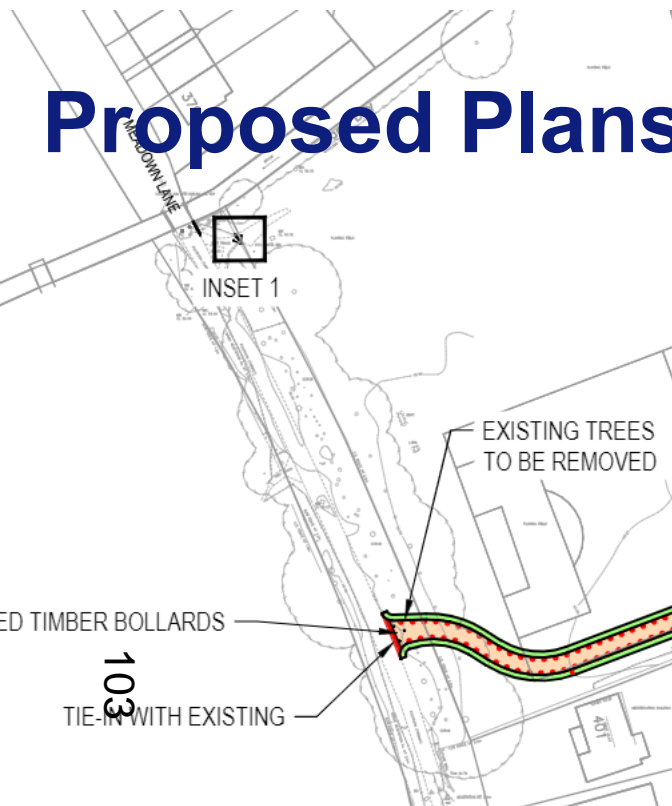
[www.oxford.gov.uk](http://www.oxford.gov.uk)





# Proposed Plans – Meadow Lane Gate

www.oxford.gov.uk

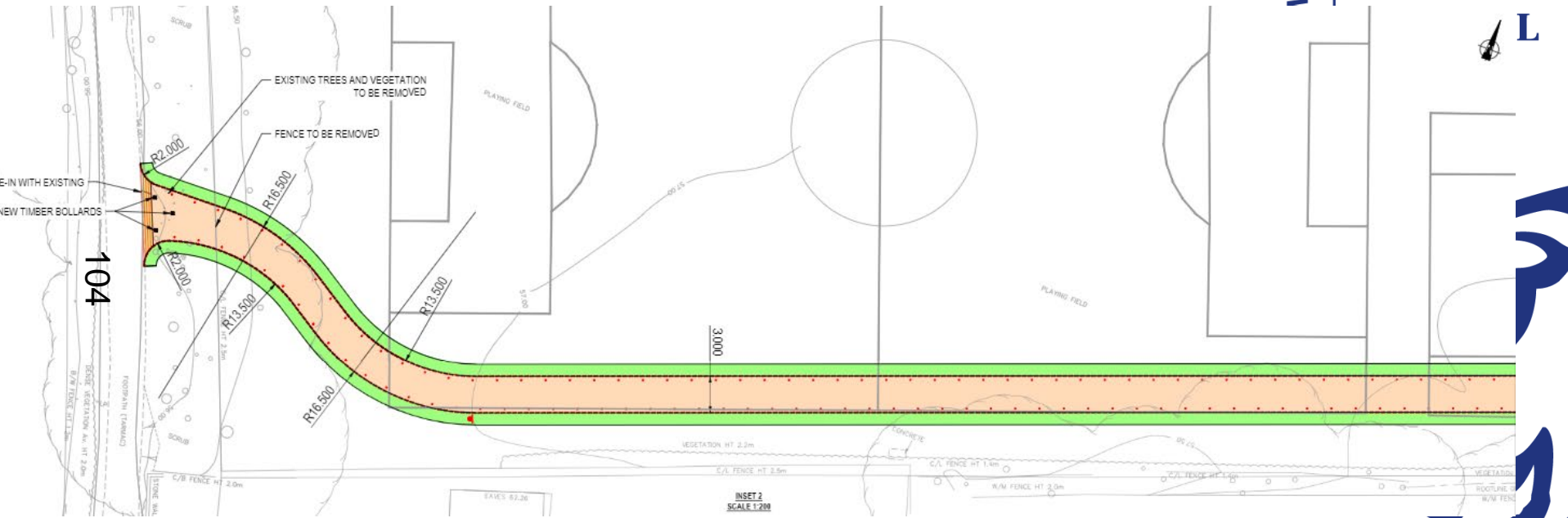


TYPICAL CROSS SECTION

Timber Kissing Gate

# Proposed Plans – Meadow Lane

www.oxford.gov.uk



104

# Proposed New Access – Meadow Lane



[www.oxford.gov.uk](http://www.oxford.gov.uk)



**OXFORD  
CITY  
COUNCIL**



# Tree Plan



# On-site Planting

- Native Structure Planting Mix**  
 7nr Cornus sanguinea  
 7nr Corylus avellana  
 4nr Crataegus monogyna  
 5nr Euonymus europaeus  
 2nr Ilex aquifolium  
 2nr Lonicera periclymenum  
 4nr Rosa canina  
 4nr Sambucus nigra  
 2nr Viburnum opulus

Wildflower Seed Mix (Emorsgate Seed Mix EM2F or similar approved)

107



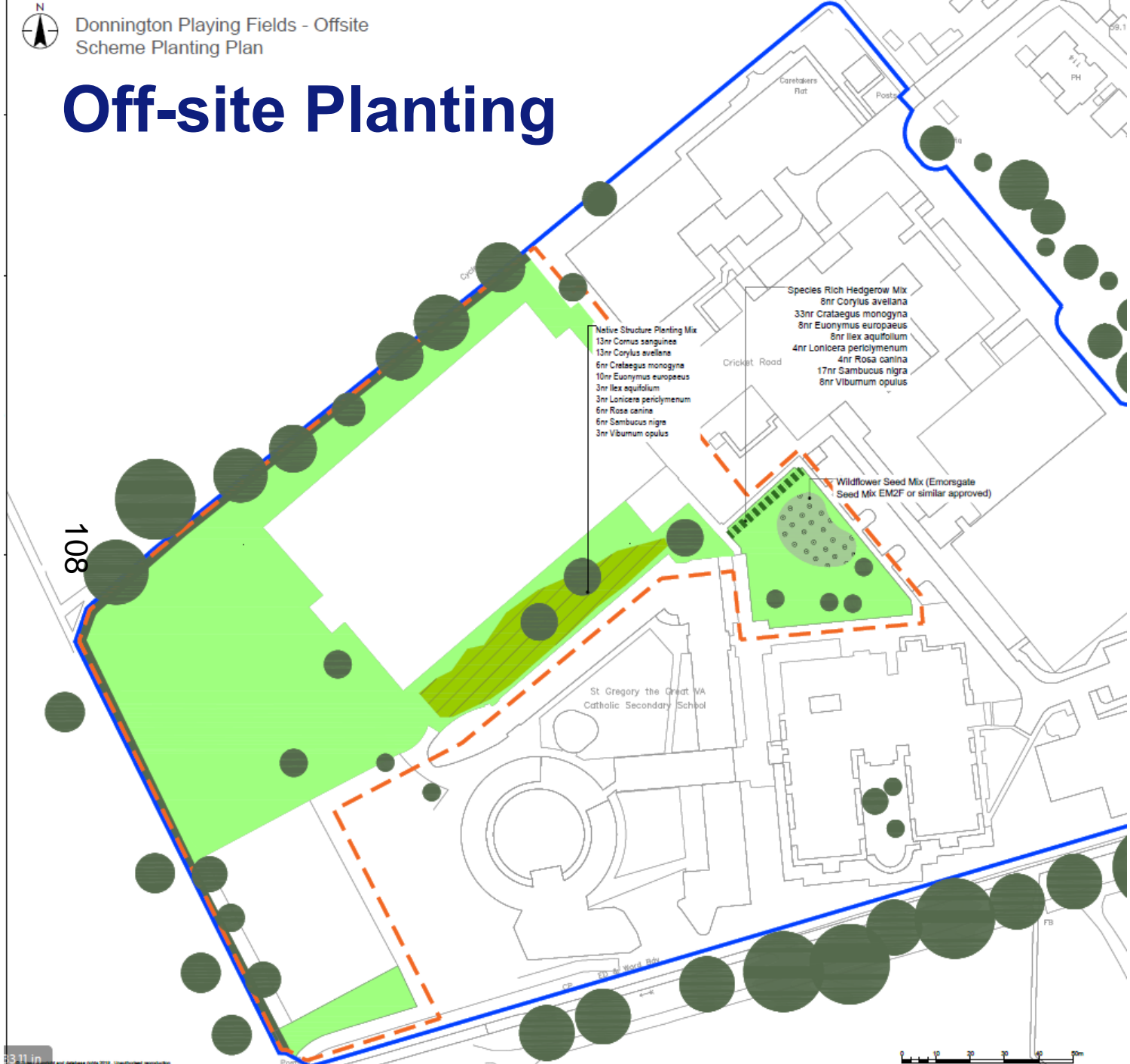
- Legend**
- Ownership Boundary
  - Existing Trees to be Retained - with Root Protection Zones
  - Trees to be Removed
  - Trees to be Retained (Impacted by Earthworks) See Note Below
  - Trees Impacted by Works, Retained with Changes to Design
  - Proposed Tree Planting (7nr)
  - Root barrier (ReRoot 800 Green Blue Urban or similar and approved)
  - Proposed Cycle Route
  - Existing Amenity Grass
  - Mown Edging to Path
  - Existing Grass to be Species Enriched by overseeding with wildflower seeding
  - Native Structure Planting Mix

- Native Structure Planting Mix**  
 8nr Cornus sanguinea  
 8nr Corylus avellana  
 4nr Crataegus monogyna  
 6nr Euonymus europaeus  
 2nr Ilex aquifolium  
 2nr Lonicera periclymenum  
 4nr Rosa canina  
 4nr Sambucus nigra  
 2nr Viburnum opulus

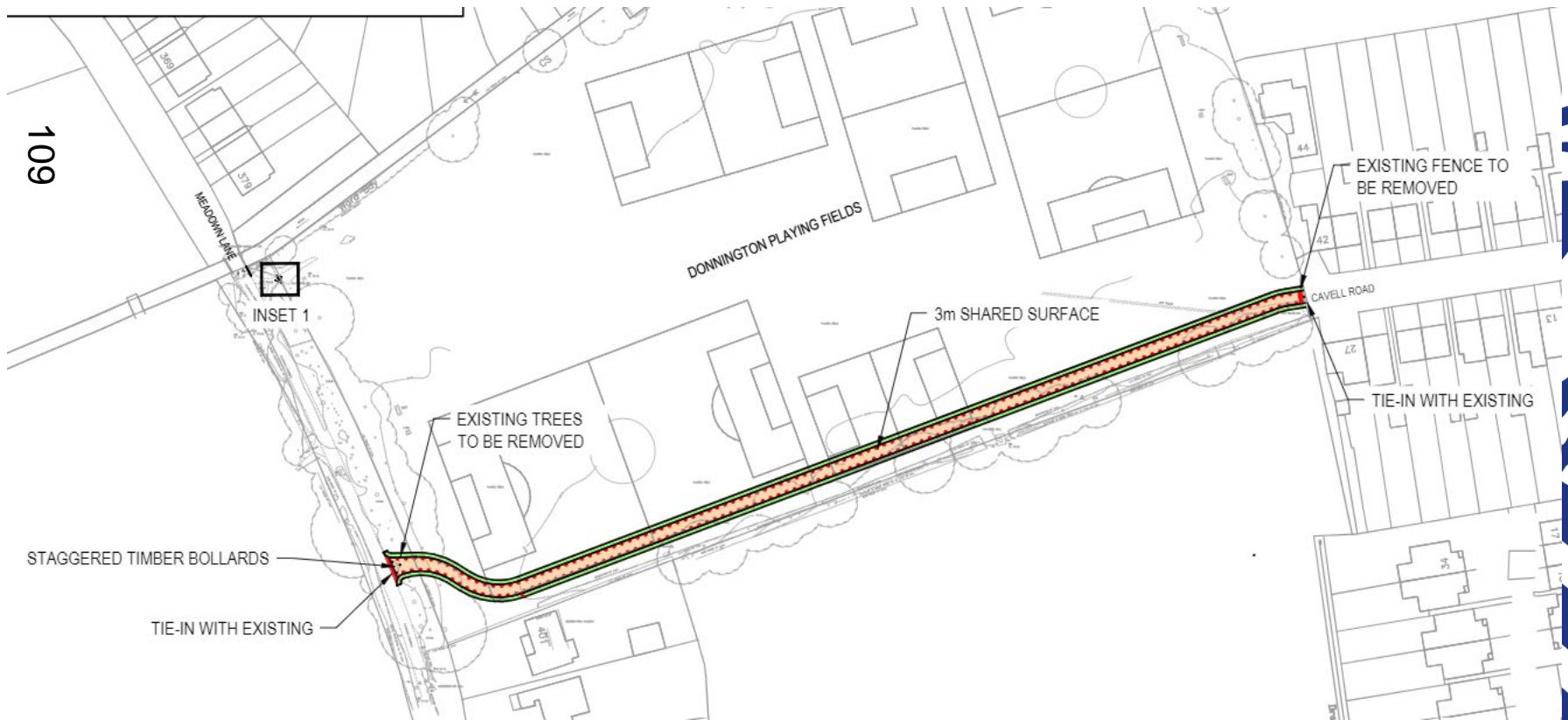
|                 |    |       |            |
|-----------------|----|-------|------------|
| PRO NUMBER      | CD | AC    | 2016/03/21 |
| PRO NUMBER      | CD | AC    | 2016/03/21 |
| ISSUED/Revision | By | App'd | 2016/03/21 |



# Off-site Planting



# Proposed Plans



# Oxford City Planning Committee Presentation

[www.oxford.gov.uk](http://www.oxford.gov.uk)



110

**Reference Number: 22/02446/CT3**

**Site Address: Donnington Recreation Ground**

